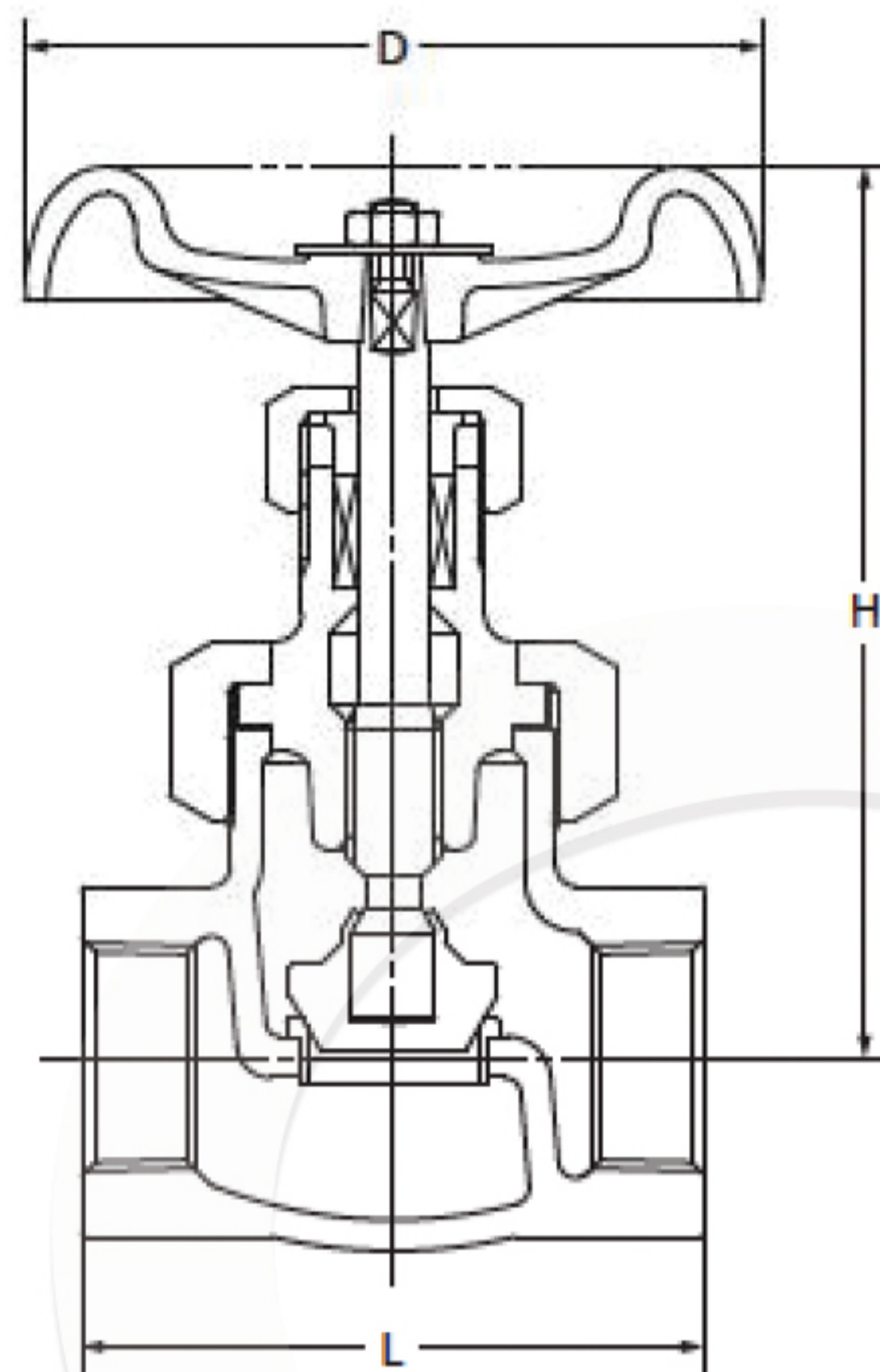
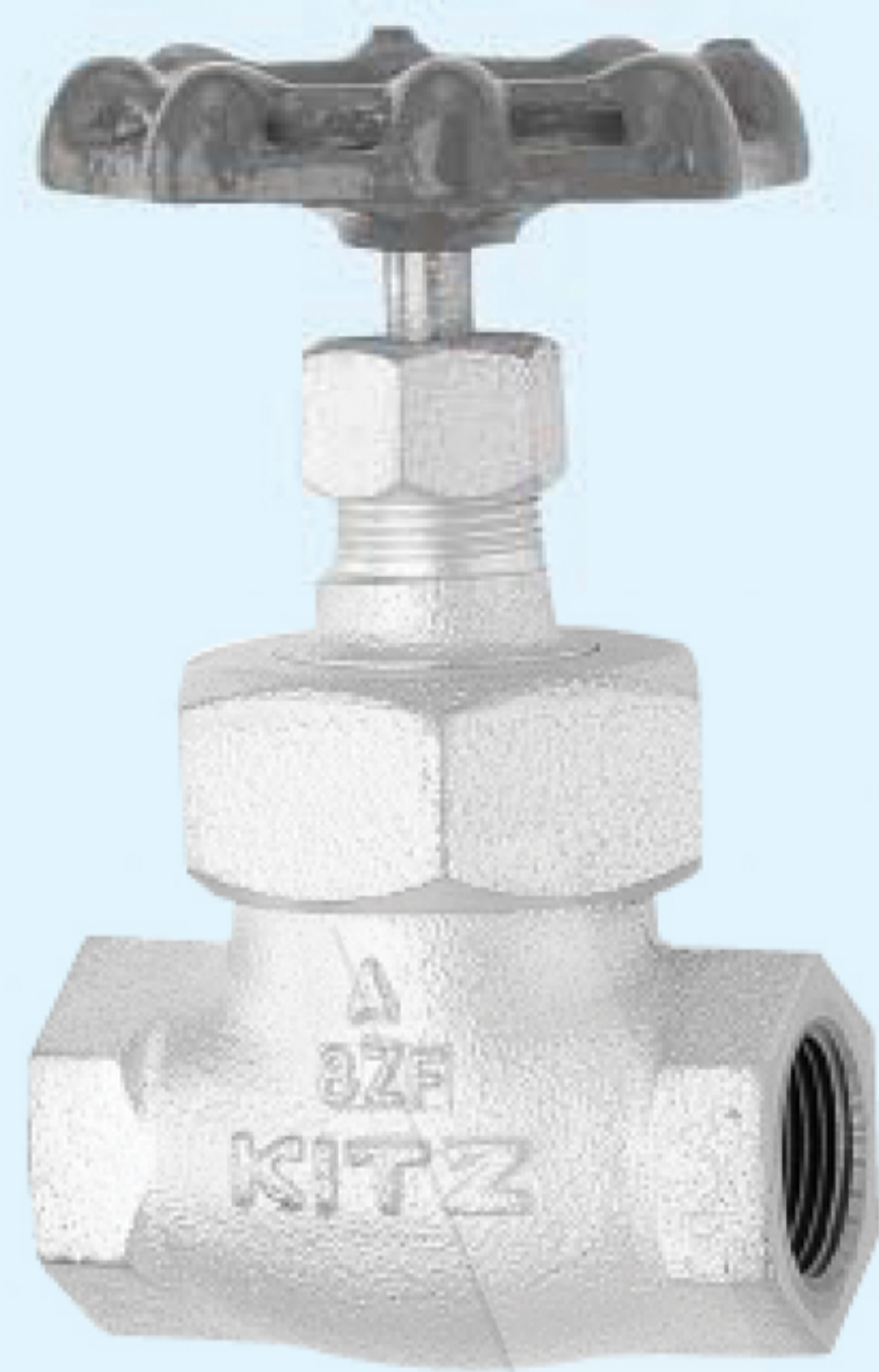


# 10K Globe Valve

**10SP**  
U.B.I.S.



End to end : JV 4-4\*  
End connection : JIS B 0203  
\*KITZ Std. for 3/8"

120°C Static water.....1.4MPa  
220°C Steam, air, gas, oil.....1.2MPa  
300°C Steam, air, gas, oil.....1.0MPa

- Use for lubricating or hydraulic oil is acceptable. Contact KITZ Corporation for technical advice, if valves are used as heat transfer media.
- Employment of copper gasket prohibits use of this valve for ammonia or amine chemicals.

### Materials

Parts	JIS material
Body	FCD-S
Bonnet	FCD-S
Stem	SUS420J2
Disc	SUS403
Body seat ring	SUS403
Gland	SUS420J2 (1 1/4" : SUS403)
Gland packing	Non-asbestos Packing
Packing nut	FCD-S
Handwheel	FCD450
Wheel nut	SS400
Bonnet ring	FCD-S
Gasket	C1100P-0
Name plate	A1050P

### Dimensions

Size	mm							
	mm	10	15	20	25	32	40	50
	inch	3/8	1/2	3/4	1	1 1/4	1 1/2	2
L		64	70	80	90	110	120	140
H (open)		107	125	125	145	162	180	198
D		60	80	80	100	115	115	135